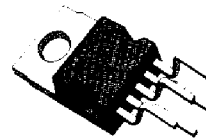


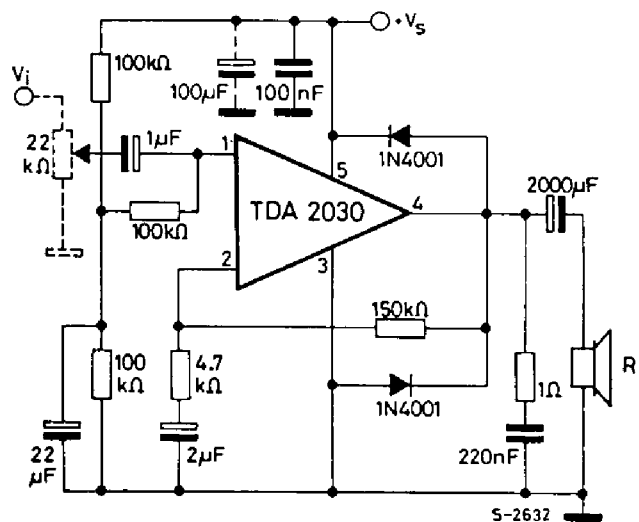
14W Hi-Fi AUDIO AMPLIFIER

The TDA2030 is a monolithic integrated circuit in Pentawatt[®] package, intended for use as a low frequency class AB amplifier. Typically it provides 14W output power ($d = 0.5\%$) at 14V/4 Ω ; at $\pm 14V$ the guaranteed output power is 12W on a 4 Ω load and 8W on a 8 Ω (DIN45500). The TDA2030 provides high output current and has very low harmonic and cross-over distortion. Further the device incorporates an original (and patented) short circuit protection system comprising an arrangement for automatically limiting the dissipated power so as to keep the

working point of the output transistors within their safe operating area. A conventional thermal shut-down system is also included.

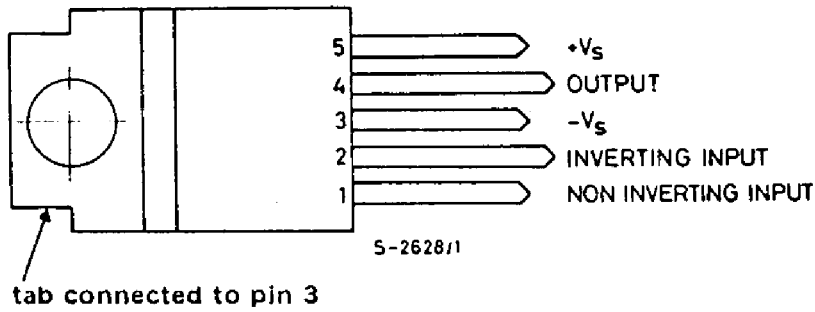

Pentawatt
ORDERING NUMBER: TDA2030H
TDA2030V
ABSOLUTE MAXIMUM RATINGS

V_s	Supply voltage	± 18	V
V_i	Input voltage	V_s	
V_i	Differential input voltage	± 15	V
I_o	Output peak current (internally limited)	3.5	A
P_{tot}	Power dissipation at $T_{case} = 90^\circ C$	20	W
T_{stg}, T_j	Storage and junction temperature	-40 to 150	$^\circ C$

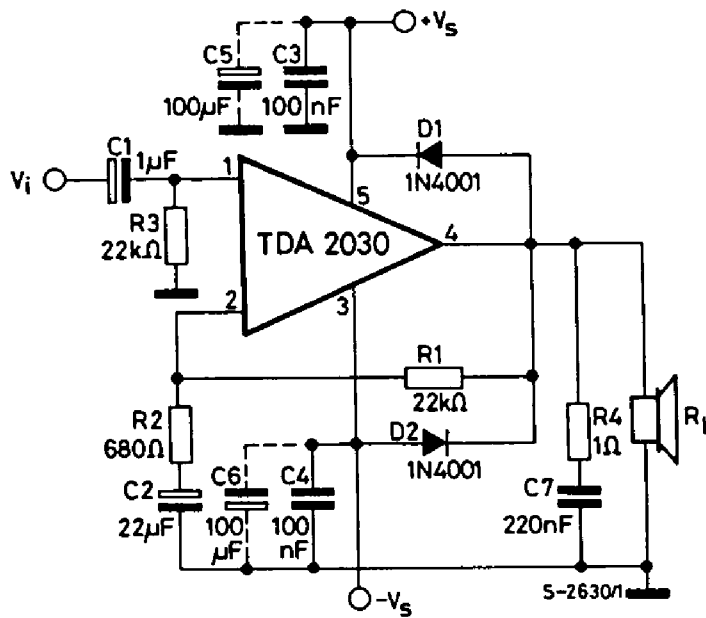
TYPICAL APPLICATION


CONNECTION DIAGRAM

(top view)



TEST CIRCUIT



THERMAL DATA

$R_{th\ j-case}$	Thermal resistance junction–case	max	3	°C/W
------------------	----------------------------------	-----	---	------

ELECTRICAL CHARACTERISTICS (Refer to the test circuit, $V_s = \pm 14V$, $T_{amb} = 25^\circ C$ unless otherwise specified)

Parameter	Test conditions	Min.	Typ.	Max.	Unit		
V_s	Supply voltage	± 6		± 18	V		
I_d	Quiescent drain current		40	60	mA		
I_b	Input bias current		0.2	2	μA		
V_{os}	Input offset voltage		± 2	± 20	mV		
I_{os}	Input offset current		± 20	± 200	nA		
P_o	Output power	$d = 0.5\%$ $G_v = 30\text{ dB}$ $f = 40\text{ to }15\ 000\text{ Hz}$ $R_L = 4\ \Omega$ $R_L = 8\ \Omega$	12	14	W		
			8	9			
d	Distortion	$P_o = 0.1\text{ to }12W$ $R_L = 4\ \Omega$ $G_v = 30\text{ dB}$ $f = 40\text{ to }15\ 000\text{ Hz}$		0.2	0.5	%	
			$P_o = 0.1\text{ to }8W$ $R_L = 8\ \Omega$ $G_v = 30\text{ dB}$ $f = 40\text{ to }15\ 000\text{ Hz}$		0.1	0.5	%
B	Power Bandwidth (-3 dB)	$G_v = 30\text{ dB}$ $P_o = 12W$ $R_L = 4\ \Omega$	10 to 140 000			Hz	
R_i	Input resistance (pin 1)		0.5	5	M Ω		
G_v	Voltage gain (open loop)			90	dB		
G_v	Voltage gain (closed loop)		$f = 1\text{ kHz}$	29.5	30	30.5	dB
e_N	Input noise voltage	B = 22 Hz to 22 KHz			3	10	μV
i_N	Input noise current				80	200	pA
SVR	Supply voltage rejection	$R_L = 4\ \Omega$ $G_v = 30\text{ dB}$ $R_g = 22\text{ k}\Omega$ $V_{ripple} = 0.5\ V_{eff}$ $f_{ripple} = 100\text{ Hz}$	40	50		dB	
I_d	Drain current	$P_o = 14W$ $R_L = 4\ \Omega$ $P_o = 9W$ $R_L = 8\ \Omega$		900	500	mA mA	
T_j	Thermal shut-down junction temperature			145		°C	

Fig. 1 - Output power vs. supply voltage

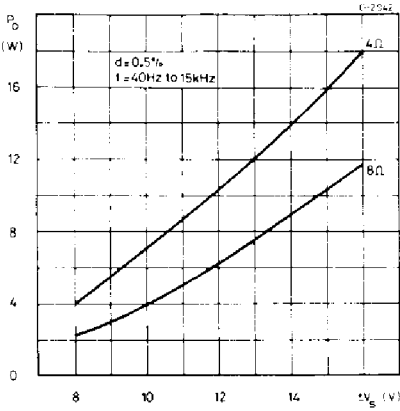


Fig. 2 - Output power vs. supply voltage

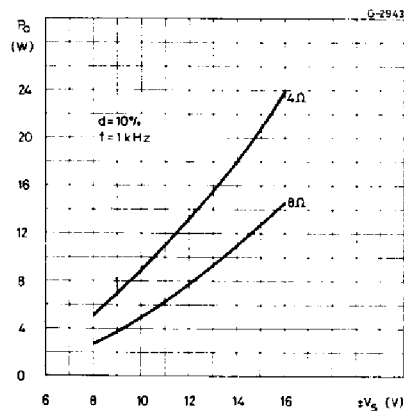


Fig. 3 - Distortion vs. output power

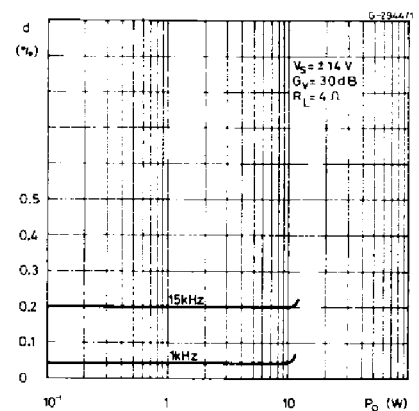


Fig. 4 - Distortion vs. output power

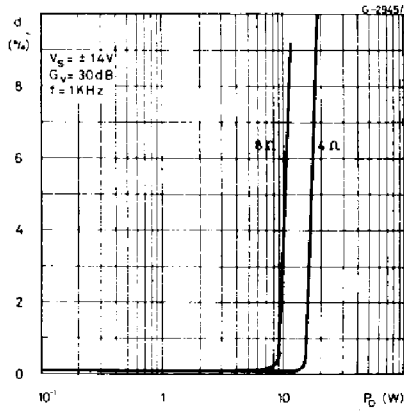


Fig. 5 - Distortion vs. output power

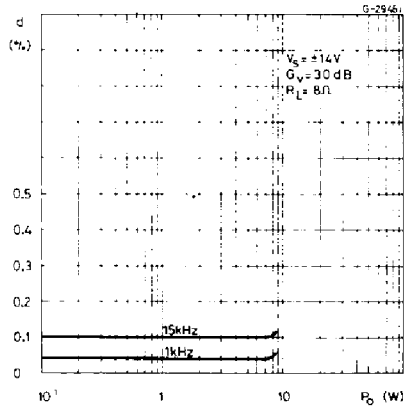


Fig. 6 - Distortion vs. frequency

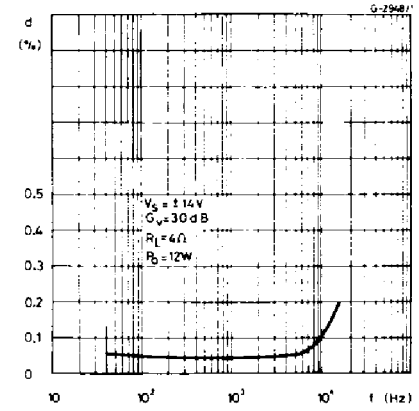


Fig. 7 - Distortion vs. frequency

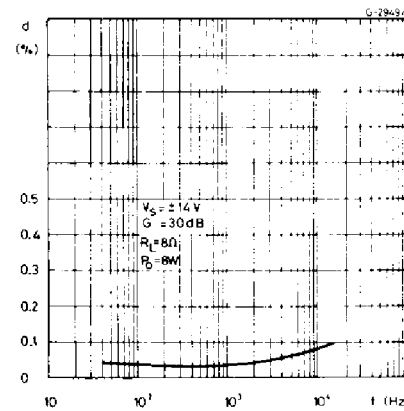


Fig. 8 - Frequency response with different values of the rolloff capacitor C8 (see fig. 13)

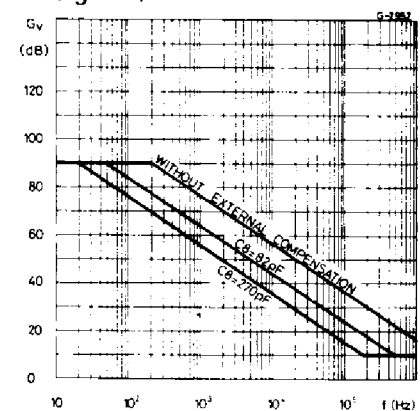


Fig. 9 - Quiescent current vs. supply voltage

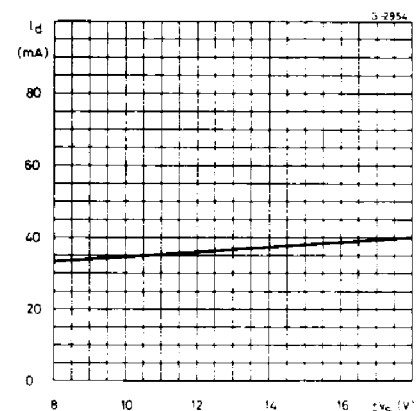


Fig. 10 - Supply voltage rejection vs. voltage gain

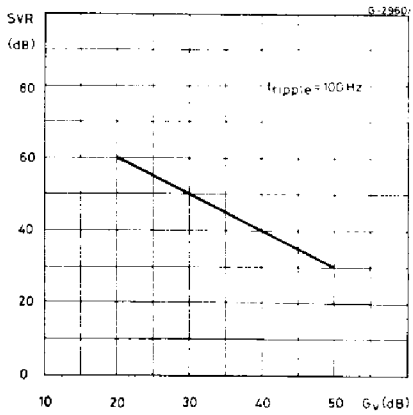


Fig. 11 - Power dissipation and efficiency vs. output power

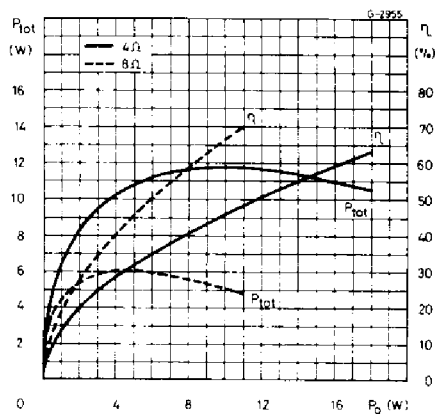
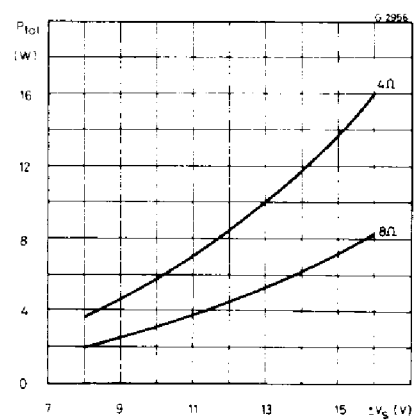


Fig. 12 - Maximum power dissipation vs. supply voltage (sine wave operation)



APPLICATION INFORMATION

Fig. 13 - Typical amplifier with split power supply

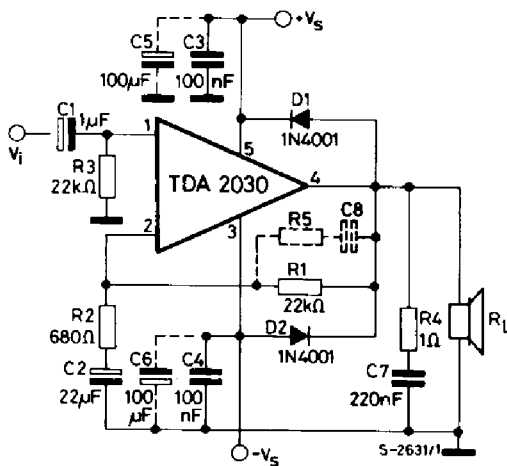
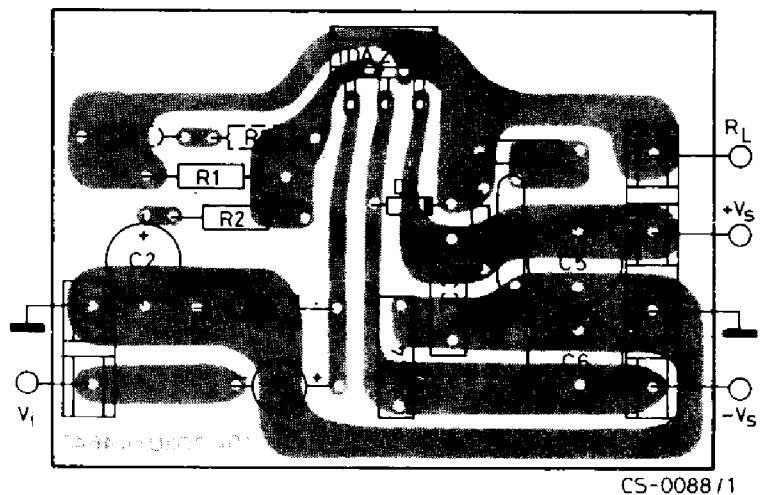


Fig. 14 - P.C. board and component layout for the circuit of fig. 13 (1:1 scale)



APPLICATION INFORMATION (continued)

Fig. 15 - Typical amplifier with single power supply

Fig. 16 - P.C. board and component layout for the circuit of fig. 15 (1:1 scale)

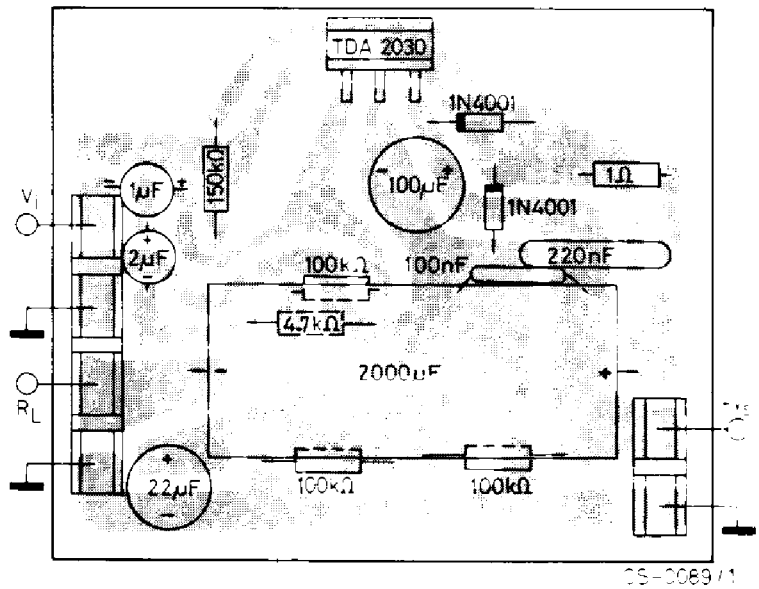
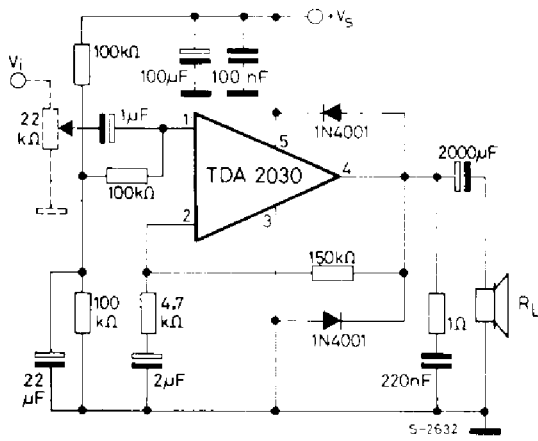
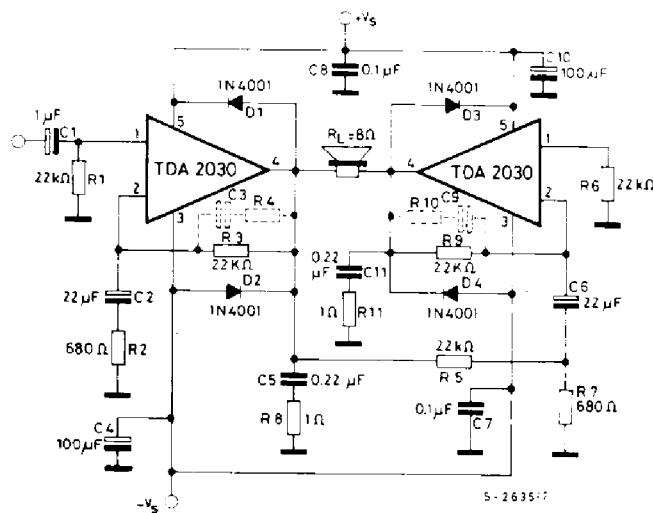


Fig. 17 - Bridge amplifier configuration with split power supply ($P_o = 28W$, $V_s = \pm 14V$)



PRACTICAL CONSIDERATIONS

Printed circuit board

The layout shown in Fig. 16 should be adopted by the designers. If different layouts are used, the ground points of input 1 and input 2 must be well decoupled from the ground return of the output in which a high current flows.

Assembly suggestion

No electrical isolation is needed between the

package and the heatsink with single supply voltage configuration.

Application suggestions

The recommended values of the components are those shown on application circuit of fig. 13. Different values can be used. The following table can help the designer.

Component	Recomm. value	Purpose	Larger than recommended value	Smaller than recommended value
R1	22 k Ω	Closed loop gain setting	Increase of gain	Decrease of gain (*)
R2	680 Ω	Closed loop gain setting	Decrease of gain (*)	Increase of gain
R3	22 k Ω	Non inverting input biasing	Increase of input impedance	Decrease of input impedance
R4	1 Ω	Frequency stability	Danger of oscillat. at high frequencies with induct. loads	
R5	$\cong 3 R2$	Upper frequency cutoff	Poor high frequencies attenuation	Danger of oscillation
C1	1 μF	Input DC decoupling		Increase of low frequencies cutoff
C2	22 μF	Inverting DC decoupling		Increase of low frequencies cutoff
C3,C4	0.1 μF	Supply voltage bypass		Danger of oscillation
C5,C6	100 μF	Supply voltage bypass		Danger of oscillation
C7	0.22 μF	Frequency stability		Danger of oscillat.
C8	$\approx \frac{1}{2\pi B R1}$	Upper frequency cutoff	Smaller bandwidth	Larger bandwidth
D1,D2	1N4001	To protect the device against output voltage spikes		

(*) Closed loop gain must be higher than 24dB

SHORT CIRCUIT PROTECTION

The TDA2030 has an original circuit which limits the current of the output transistors. Fig. 18 shows that the maximum output current is a function of the collector emitter voltage; hence the output transistors work within their safe operating area (Fig. 2). This function can there-

fore be considered as being peak power limiting rather than simple current limiting. It reduces the possibility that the device gets damaged during an accidental short circuit from AC output to ground.

Fig. 18 - Maximum output current vs. voltage [V_{CEsat}] across each output transistor

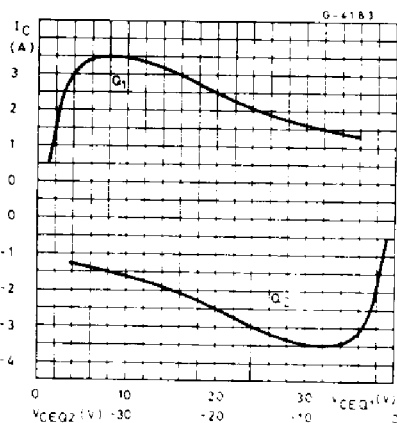
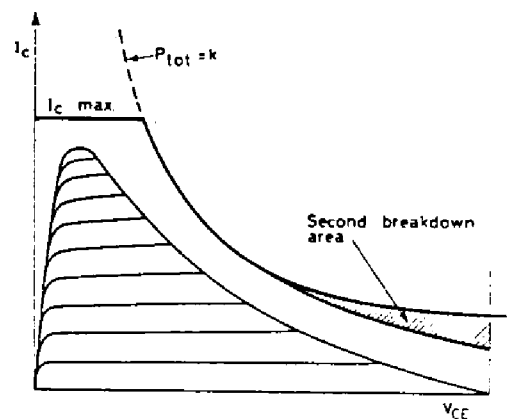


Fig. 19 - Safe operating area and collector characteristics of the protected power transistor



S-076477

THERMAL SHUT-DOWN

The presence of a thermal limiting circuit offers the following advantages:

1. An overload on the output (even if it is permanent), or an above limit ambient temperature can be easily supported since the T_j cannot be higher than 150°C .
2. The heatsink can have a smaller factor of safety compared with that of a conventional circuit. There is no possibility of device damage due to high junction temperature. If

for any reason, the junction temperature increases up to 150°C , the thermal shut-down simply reduces the power dissipation at the current consumption.

The maximum allowable power dissipation depends upon the size of the external heatsink (i.e. its thermal resistance); fig. 22 shows this dissipable power as a function of ambient temperature for different thermal resistance.

Fig. 20 - Output power and drain current vs. case temperature ($R_L = 4\Omega$)

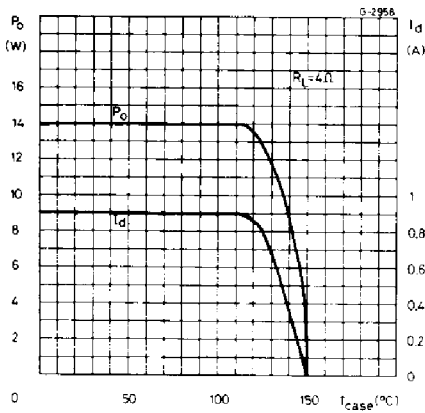


Fig. 21 - Output power and drain current vs. case temperature ($R_L = 8\Omega$)

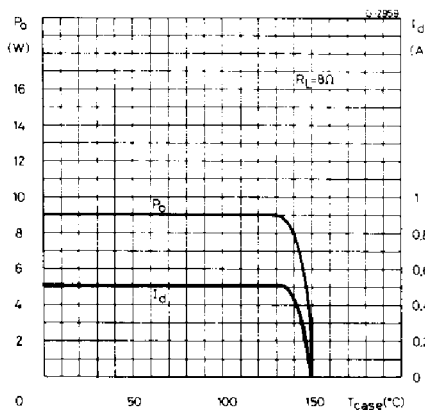


Fig. 22 - Maximum allowable power dissipation vs. ambient temperature

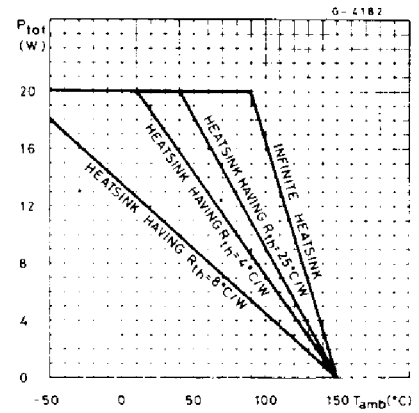
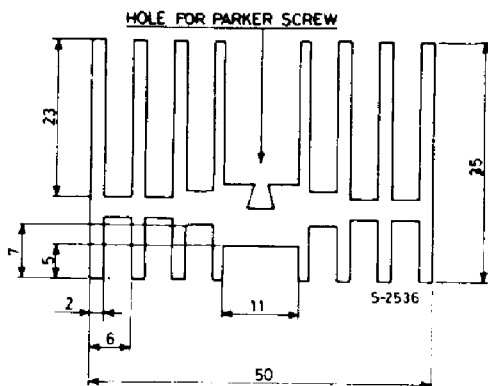


Fig. 23 - Example of heat-sink



Dimension : suggestion.

The following table shows the length that the heatsink in fig. 23 must have for several values of P_{tot} and R_{th} .

P_{tot} (W)	12	8	6
Length of heatsink (mm)	60	40	30
R_{th} of heatsink ($^\circ C/W$)	4.2	6.2	8.3

This datasheet has been download from:

www.datasheetcatalog.com

Datasheets for electronics components.